

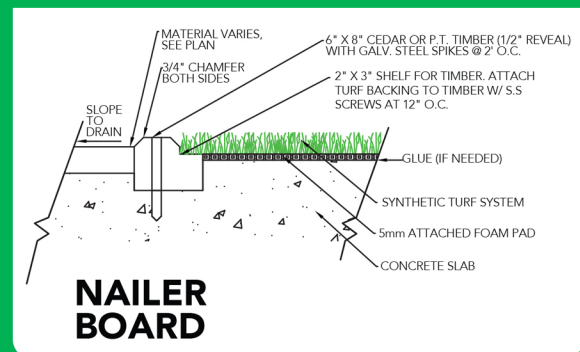
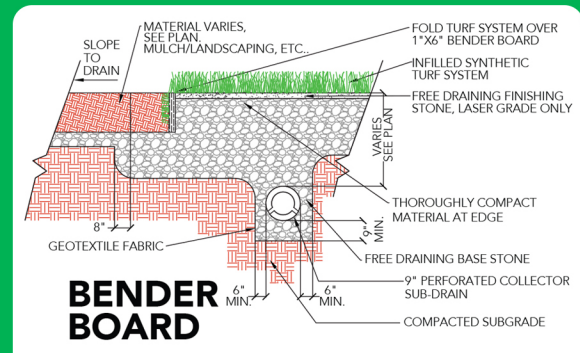
Money Putt



Texturized Nylon



| PROPERTY | DESCRIPTION |
|---------------------------------------|----------------------------------|
| Primary Yarn Polymer | Nylon |
| Yarn Cross Section | Texturized Nylon |
| Standard Colors | Forest Green |
| UV Stabilized | Yes |
| Fabric Construction | Tufted |
| Primary Backing | Dual layered woven polypropylene |
| Coating Type(s) | Greenback or Natural Rubber |
| Perforations | No |
| Texturized Nylon Denier/Ends (Thatch) | 4400/8 |
| Recommended Infill | N/A |
| Pile Height | 3/8" |
| Total Weight | 84 oz. |
| Fabric Width | 15 Ft. |



APPLICATION

As one of our premier putting surfaces, this product is ideal for putting, short chip shots, and indoor golf facilities. The speed of the green will depend on the installation method. This product can be installed indoors or outdoors on concrete or a compacted aggregate base.

TESTING
Money Putt

| FINISHED FABRIC | ENGLISH | SYSTEM | METRIC | SYSTEM | ASTM TEST |
|-------------------------------------|----------------|---------------|---------------|---------------|------------------|
| Nominal Specification | Value | Units | Value | Units | Method |
| Pile Height (Nominal) | .375 | In. | 9.53 | mm. | D-5823 |
| Face Weight | 36 | oz/yd | 1,221 | g/m | D-5848 |
| Total Fabric Weight | 84 | oz/yd | 2,848 | g/m | D-5848 |
| Primary Backing Weight | 7.4 | oz/yd | 251 | g/m | D-5848 |
| Secondary Coating Weight | 41 | oz/yd | 1390 | g/m | D-5848 |
| Grab Tear Strength (Average) | >200 | lbs. | >91 | kg. | D-2256 |
| Lead Content | <50 | ppm | <50 | ppm | D-2765 |
| Total Yarn Linear Density | 4,400 | Denier | 4,889 | D-TEX | D-1577 |
| Stitch Rate | 26.5 | Per 3" | 34.715 | Per 10 cm | D-5793 |
| Machine Gauge | 3/16" | In. | .48 | cm | D-5793 |
| Flammability | TEST | PASSED | TEST | PASSED | D-2859 |
| Water Permeability w/Infill | >30 | In/hr | >76 | cm/hr | F-1551 |
| Fabric Width | 15 | Ft. | 4.6 | M | None |

